

## Product Information

# esserbus®-PLus alarm device

### Performance data at a glance

#### Common features

- Approved to DIN EN 54-3
- 4 different tones can be programmed

#### Base sounder

- Sound pressure 93 dB (a)/1 m
- Sound pressure can be programmed using the customer data editor
- Flush-mount kit available, e.g. for suspended ceilings
- Up to 48 signal bases can be accommodated on one ring loop

#### System sounder

- Sound pressure 97 dB (a)/1 m
- The sound pressure in system sounders is adjustable
- Up to 16 warning devices can be accommodated on one ring loop



### esserbus®-PLus—safe and economic

❖ The 2-wire esserbus®-PLus ring loop technology is currently the most economic and the safest way of activating alarm devices. The esserbus®-PLus increases the ring voltage to 42 volts to activate the warning devices, which are supplied directly from the bus without any need for additional power cables. The direct integration of the alarm devices on the esserbus®-PLus and the availability of different signals in conformity with various installation standards facilitates dynamic and targeted evacuation of buildings.

### Less wiring to ensure continued functionality—thanks to the esserbus®-PLus

The integration of alarm devices on the esserbus®-PLus eliminates the need for costly wiring to ensure continuous functionality in a fire case. According to the guidelines for electric wiring in installation standards and the guidelines for wiring systems in building laws, alarm devices must be provided with fireproof cable to ensure continued functionality in some countries at least for 30 min.

Thanks to the ring structure and the short-circuit and wire-break-tolerant installation of the alarm devices on the esserbus®-PLus, this is avoided in most cases.

#### Ordering details

	Part No.
Addressable system sounder, white	806280
Addressable system sounder, red	806284
Addressable base sounder	806282

#### Accessories

Cap for addressable base sounder	806290
Flush-mount kit for addressable base sounder	806283
Detector removal tool	809821
Removal tool for addressable base sounder	809823

#### VdS approval

System sounder: G 202049
Base sounder: G 202046



*Flush-mount base sounder without detector*



*Flush-mount base sounder and detector*

## The base sounder: One unit, two uses

❖ The base sounder performs 2 tasks simultaneously. It serves as a fully functional sounder and also as a mounting base for series 9200 fire detectors. The cost advantage over conventional techniques is immense, as there

is no need for the fire detector socket or for additional wiring between fire detector and alarm device.

The attractively designed base sounder conforms to EN 54-3 and is (like the detector) a full and therefore directly addressable bus device. To keep the highest availability on the loop each base sounder is equipped with an isolator.

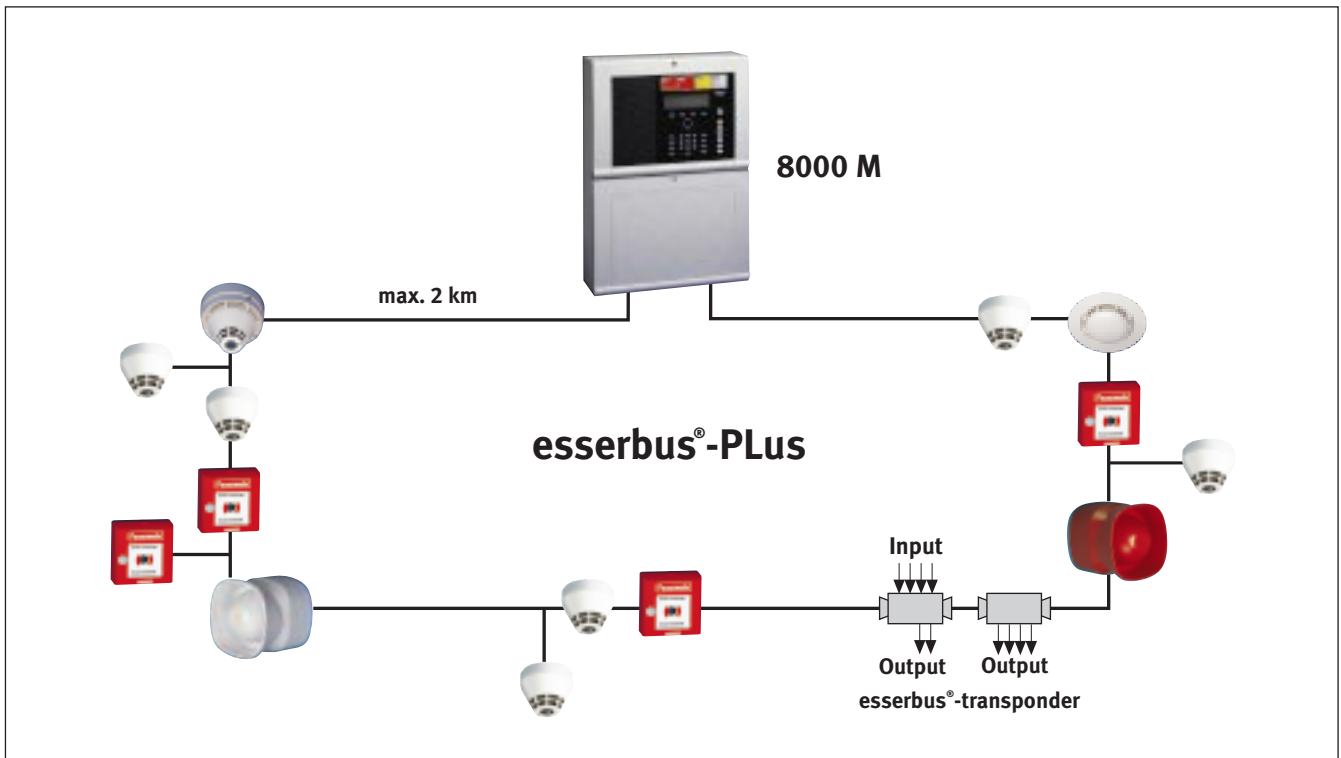
Due to their low power consumption, up to 48 addressable base sounders can be accommodated on a loop of up to 700 metres cable length. Even with a cable length of 2,000 metres, 24 base sounders can be installed. The power supply of the bus is also assured when no detector is mounted on the base sounder.

The four different warning tones and the sound level of the base sounder are dependent on the programming of the control panel. A maximum of 93 dB is possible with uniform 360° sound pressure. The esserbus®-Plus also supports synchronous playing of all signal tones, including the German DIN tone in conformity with DIN 33404 Part 3.

All esserbus®-Plus components are mechanically harmonised with each other. The new removal tools enable detectors and base sounders to be conveniently removed and inserted even at great heights.



*The base sounder in its modules*



*Alarm device on the esserbus®-Plus*

## System sounder that copes with the pressure

❖ The addressable system sounder in white or red generates even more sound pressure than the base sounder, producing 97 dB. It is especially useful in passages or in long halls or at locations on the ring bus that require no automatic detectors, where its advantages can be fully exploited, as its sound waves tend to spread out linearly. The sound waves can therefore be focused very accurately. If necessary, system sounder can also be operat-

ed together with base sounders on the esserbus®-Plus. They are fully integrated and therefore directly addressable bus devices, equipped with isolators.

The system sounders have the same programmable tones as the base sounders. The required sound level can be set using a potentiometer in the warning device. Current can be supplied for up to 16 warning devices on one bus with a cable length of 700 metres.



*System sounder, white (806280)*

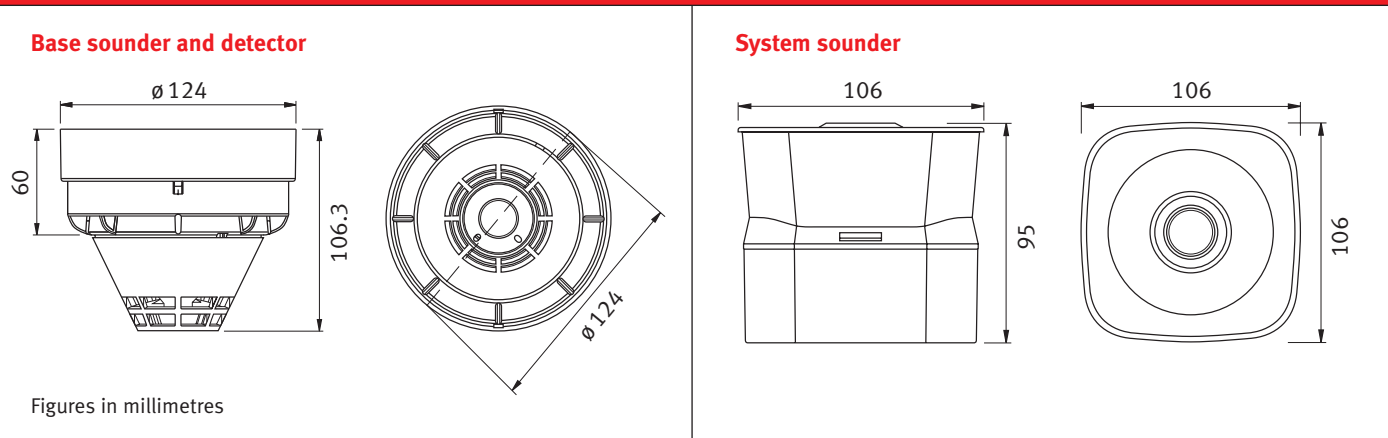


*System sounder, red (806284)*

## Technical data

Base sounder	
Power supply	through ring loop, no external power source needed
Current	max. 22 mA, at 12 V battery voltage; < 6 mA at loop voltage
Sound level	max. 93 dB (A)/1 m
Signal tone 1	pulse tone 965 Hz; pulse frequency 1 Hz
Signal tone 2	alternating tone 965 Hz/725 Hz; alternating frequency 2 Hz
Signal tone 3	continuous tone 965 Hz
Signal tone 4	DIN 33404-T3 tone, 1200-500 Hz sweep tone repeat frequency 1 Hz
Ambient temperature	-5 °C to +50 °C
Housing	plastic, ABS, white
Weight	approx. 420 g (without fire detector)
Dimensions	diameter = 124 mm, h = 60 mm (without fire detector)
Protection class	IP 30
System sounder	
Power supply	through ring loop, no external power source needed
Current	max. 55 mA, at 12 V battery voltage; < 10 mA at loop voltage
Sound level	max. 97 dB (A)/1 m
Signal tone 1	pulse tone 982 Hz; pulse frequency 1 Hz
Signal tone 2	alternating tone 982 Hz/643 Hz; alternating frequency 2 Hz
Signal tone 3	continuous tone 982 Hz
Signal tone 4	DIN 33404-T3 tone, 1200-500 Hz sweep tone repeat frequency 1 Hz
Ambient temperature	-5 °C to +50 °C
Housing	plastic, ABS, optionally white or red
Weight	approx. 580 g
Dimensions (B x H x L)	106 x 106 x 95 mm
Protection class	IP 42

## Dimensional drawing



### esser-effeff alarm GmbH

**Location Neuss:**  
D-41469 Neuss, Dieselstraße 2  
Tel.: +49 (0)2137 171  
Fax: +49 (0)2137 17286

**Location Albstadt:**  
D-72458 Albstadt, Johannes-Mauthe-Straße 14  
Tel.: +49 (0)7431 8010  
Fax: +49 (0)7431 8011220

**Internet:**  
[www.esser-effeff-alarm.com](http://www.esser-effeff-alarm.com)  
**E-mail:**  
[info@esser-effeff-alarm.com](mailto:info@esser-effeff-alarm.com)

Art. No. 797819/09.2002  
Technical information is subject  
to change without notice